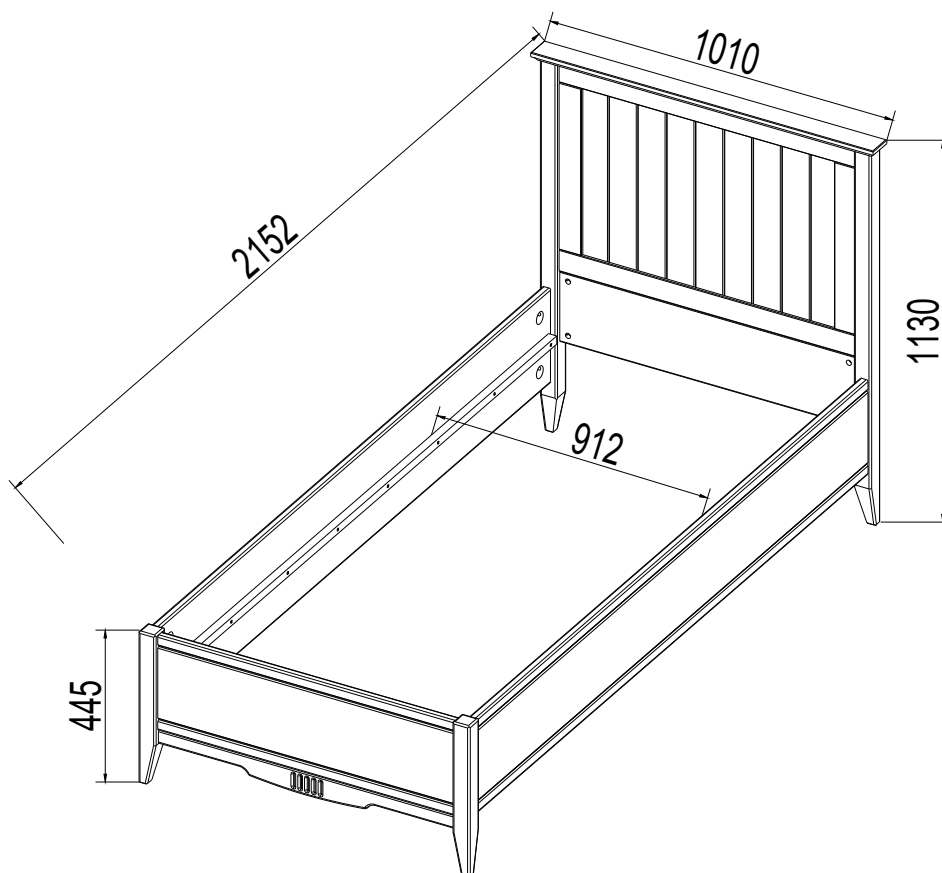
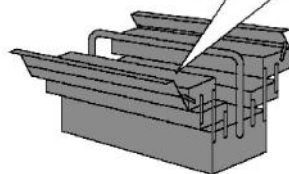
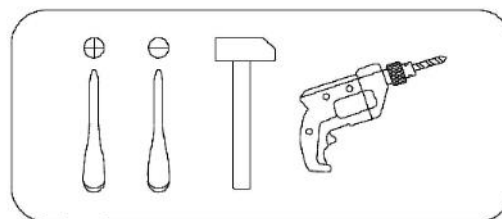
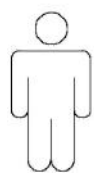


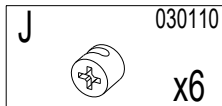
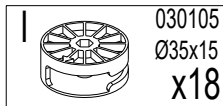
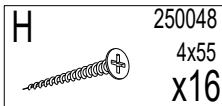
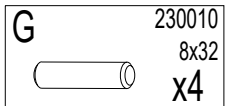
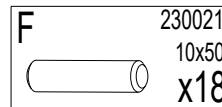
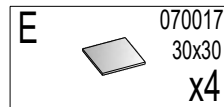
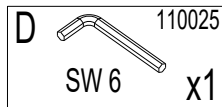
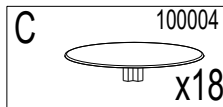
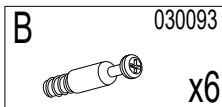
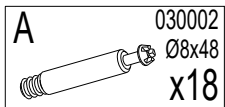
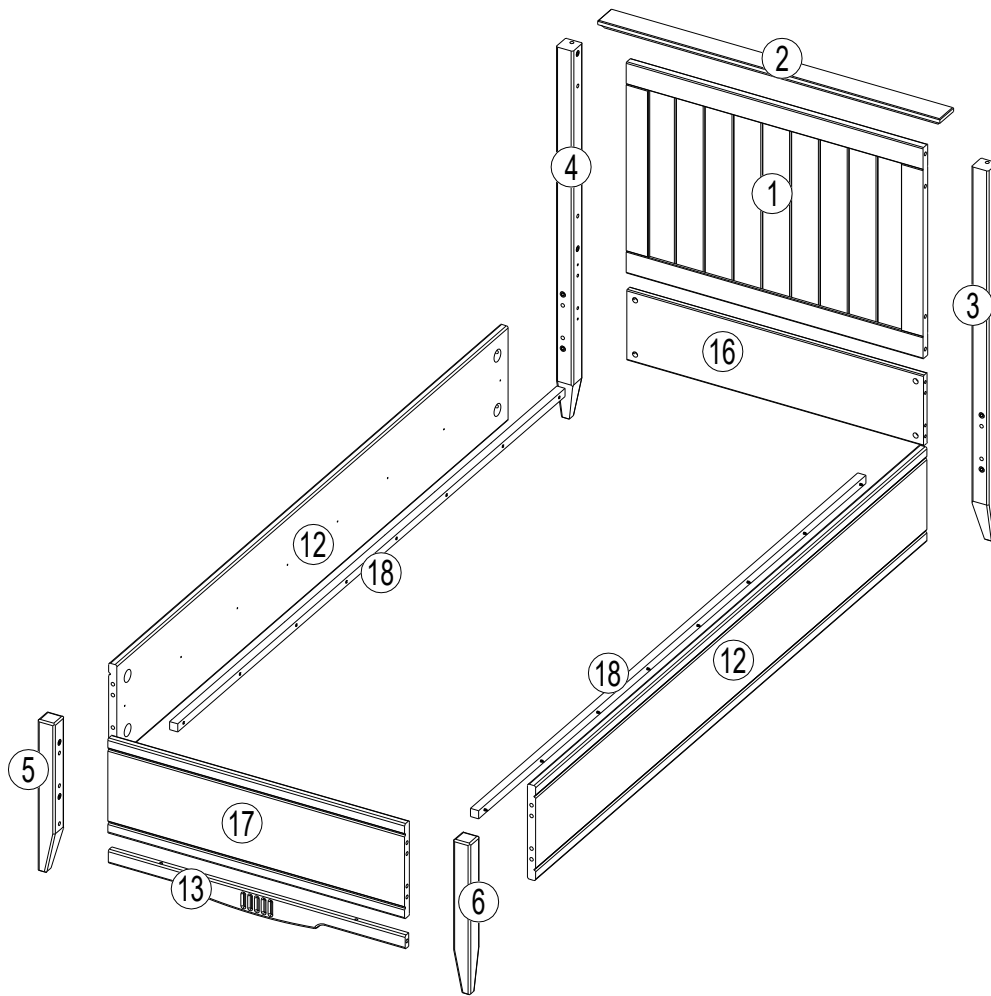
Кровать 90x200 Пенни

Прежде чем приступить к сборке, ознакомьтесь с памяткой на обороте



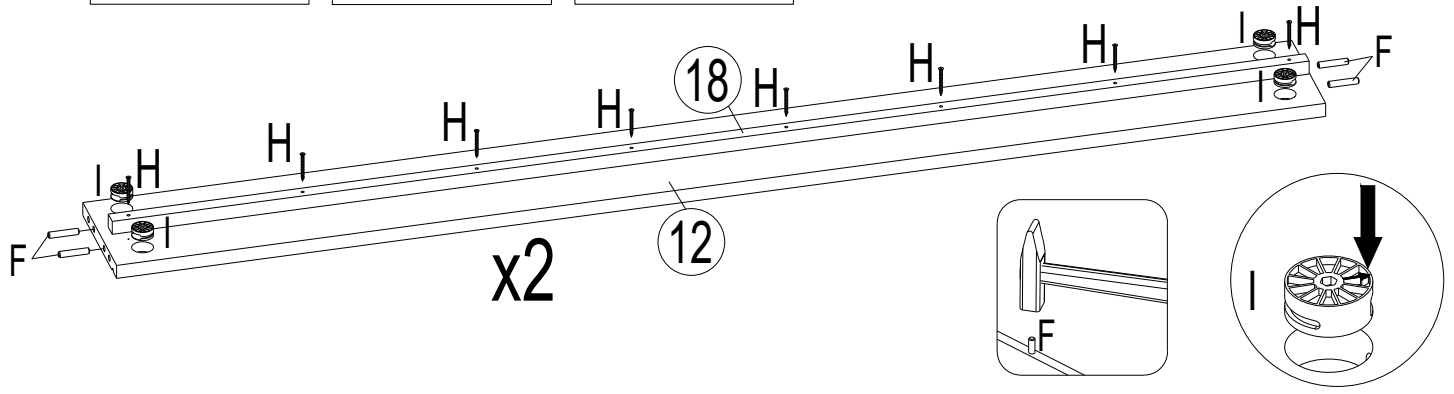
- | | |
|---------------------------------------|-----------------------------------|
| D Montageanleitung | GB Assembly instructions |
| FR Notice de montage | IT Istruzioni di montaggio |
| NL Handleiding voor de montage | PL Instrukcja montażu |
| CZ Montážní návod | SK Návod na montáž |
| HU Szerelési útmutató | RO Instrucțiuni de montaj |
| TR Montaj talimatı | RU Инструкция по монтажу |



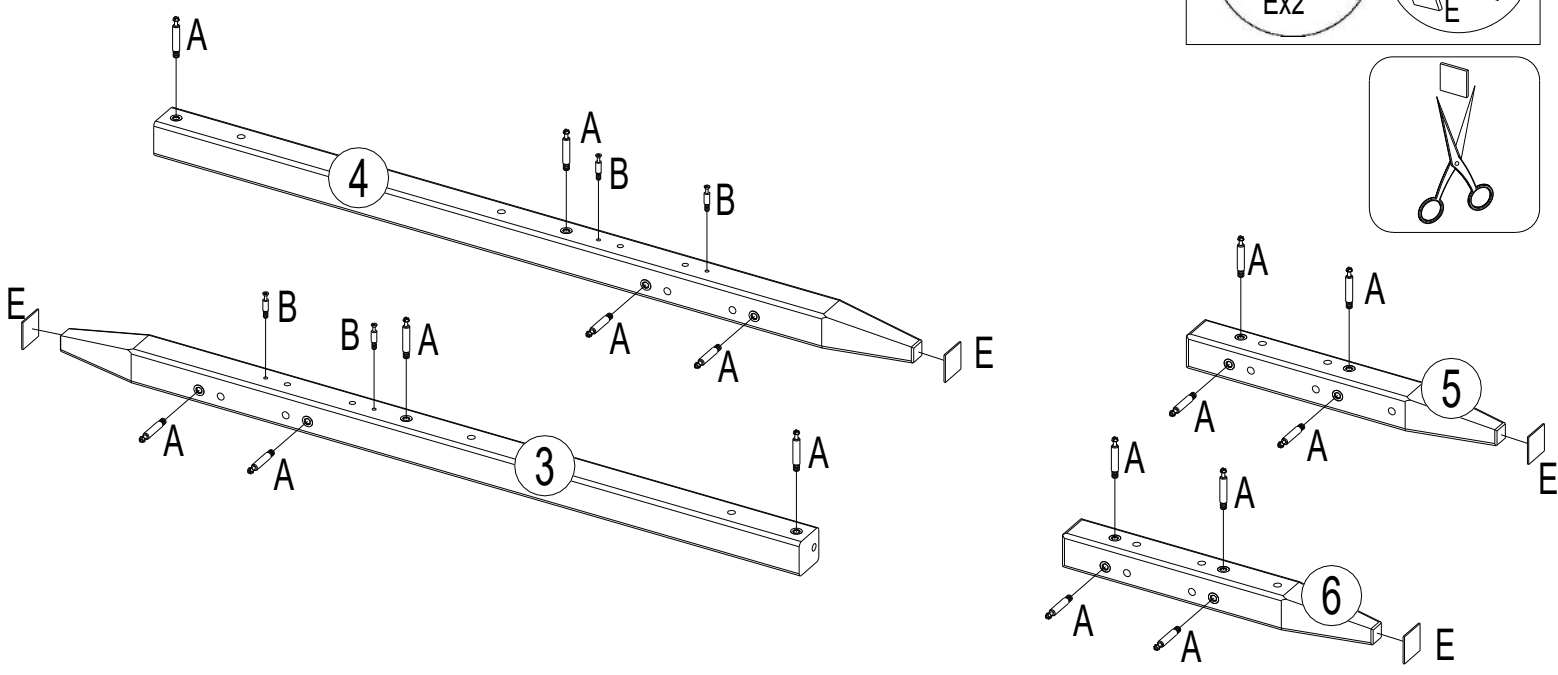
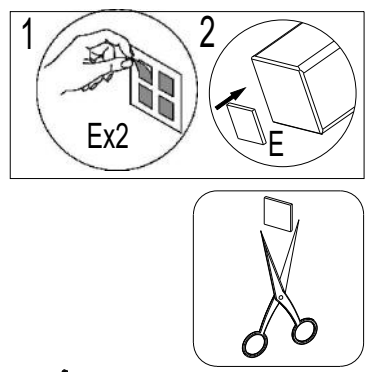


No	Size/MaB (mm)	Qty	✓	No	Size/MaB (mm)	Qty	✓
1	876x623x24	1		12	2000x280x24	2	
2	1010x70x24	1		13	876x68x18	1	
3	1106x50x50	1		16	876x208x18	1	
4	1106x50x50	1		17	876x280x24	1	
5	445x50x50	1		18	1980x35x24	2	
6	445x50x50	1					

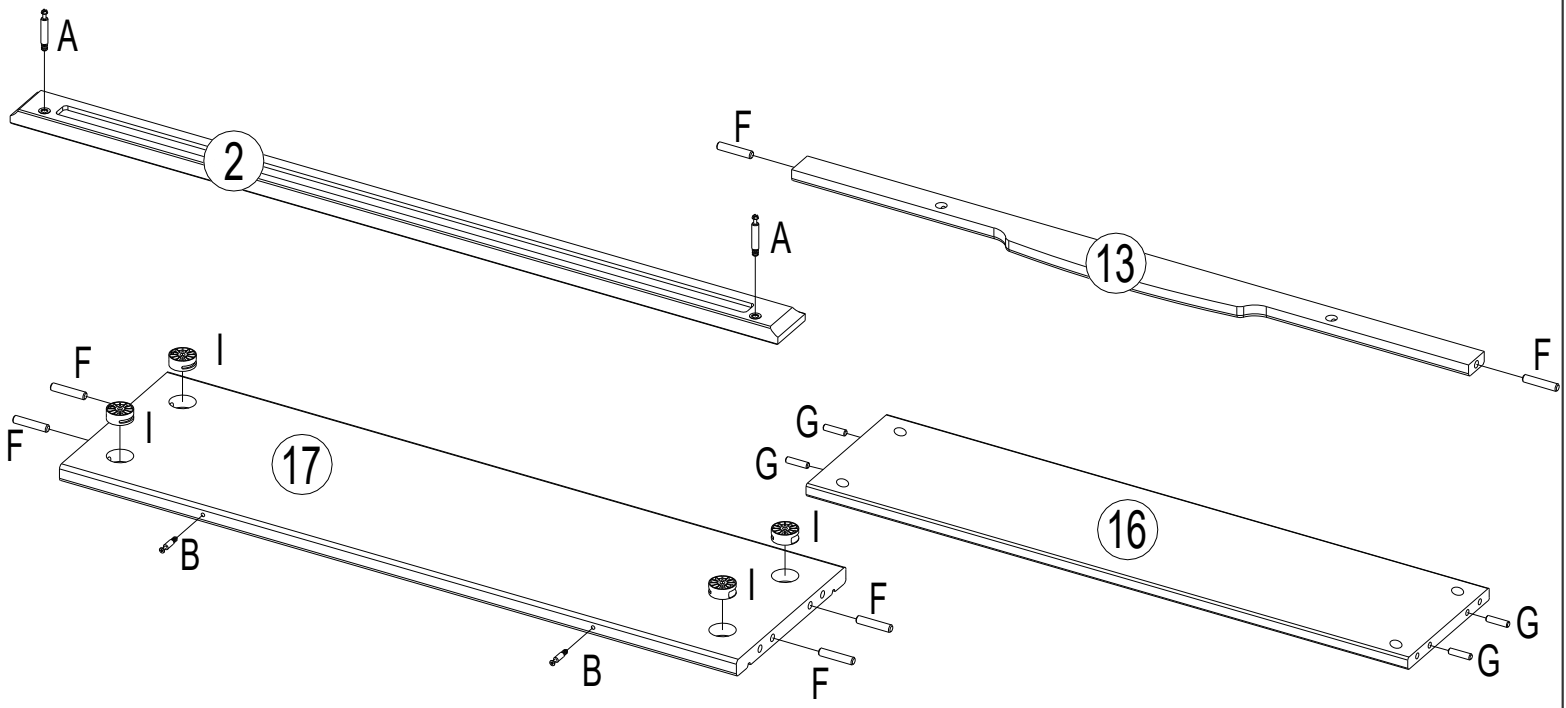
- | | | | |
|----------|--------------------------------|---------------------------------|--------------------------------|
| 1 | H 250048
4x55
x16 | I 030105
Ø35x15
x8 | F 230021
10x50
x8 |
|----------|--------------------------------|---------------------------------|--------------------------------|



- | | | | |
|----------|---------------------------------|-----------------------|--------------------------------|
| 2 | A 030002
Ø8x48
x16 | B 030093
x4 | E 070017
30x30
x4 |
|----------|---------------------------------|-----------------------|--------------------------------|



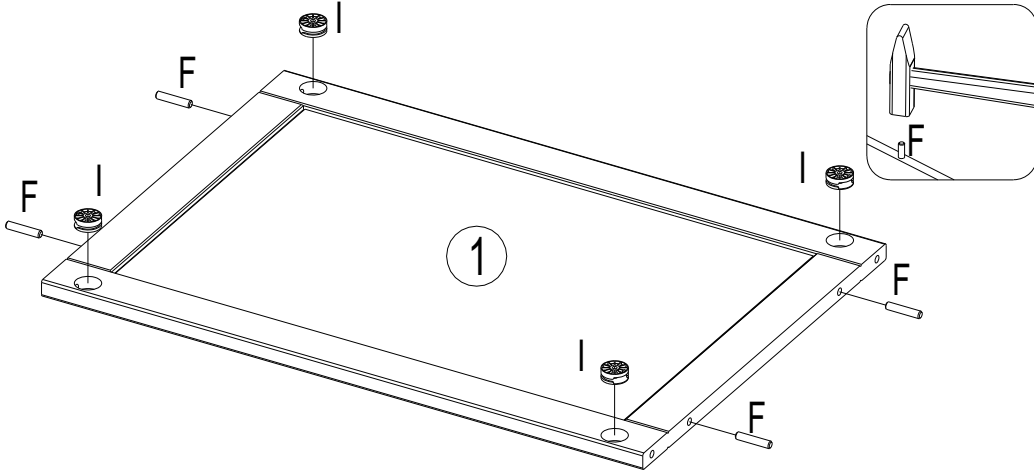
- | | | | | | |
|----------|--------------------------------|-----------------------|--------------------------------|-------------------------------|---------------------------------|
| 3 | A 030002
Ø8x48
x2 | B 030093
x2 | F 230021
10x50
x6 | G 230010
8x32
x4 | I 030105
Ø35x15
x4 |
|----------|--------------------------------|-----------------------|--------------------------------|-------------------------------|---------------------------------|



4

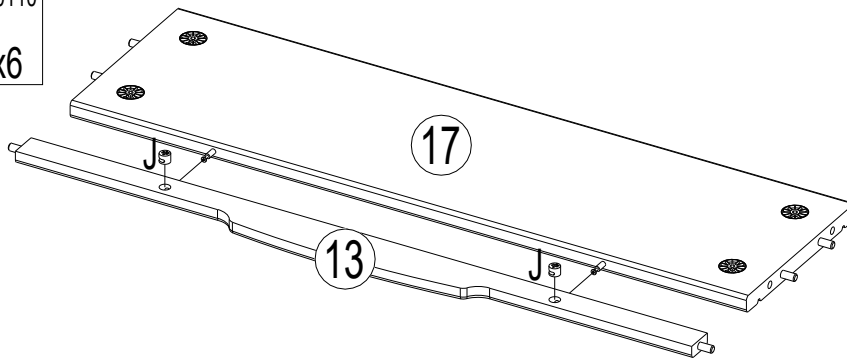
F 230021
10x50
x4

I 030105
Ø35x15
x4



5

J 030110
x6

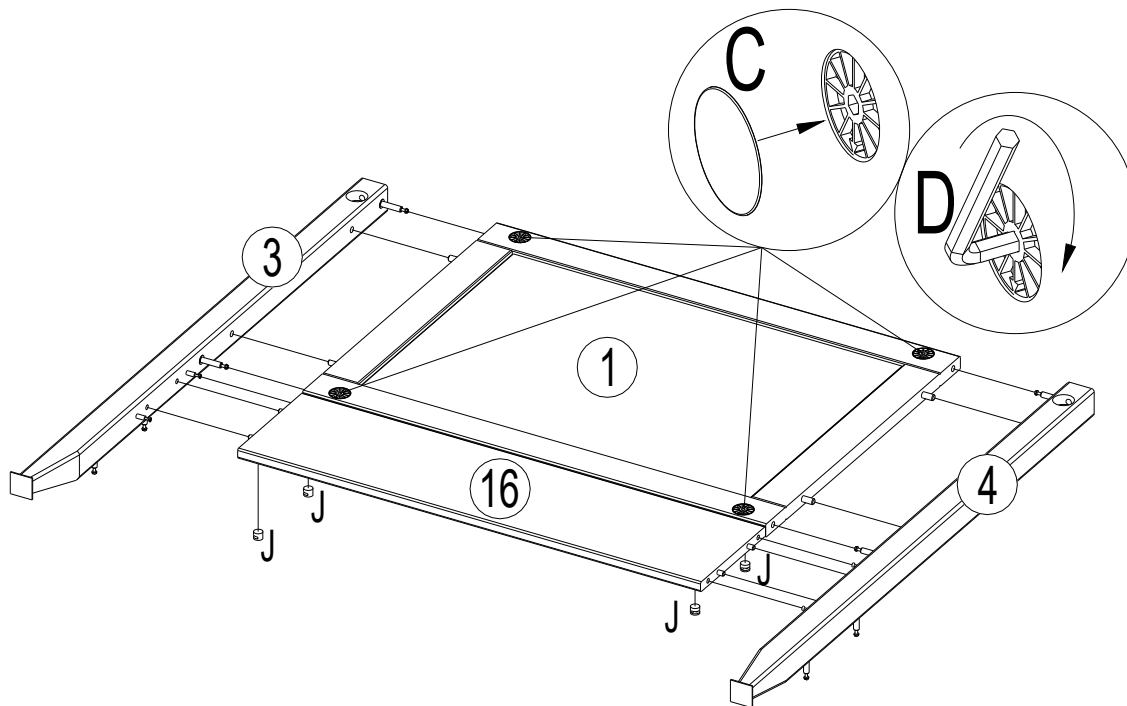


6

J 030110
x4

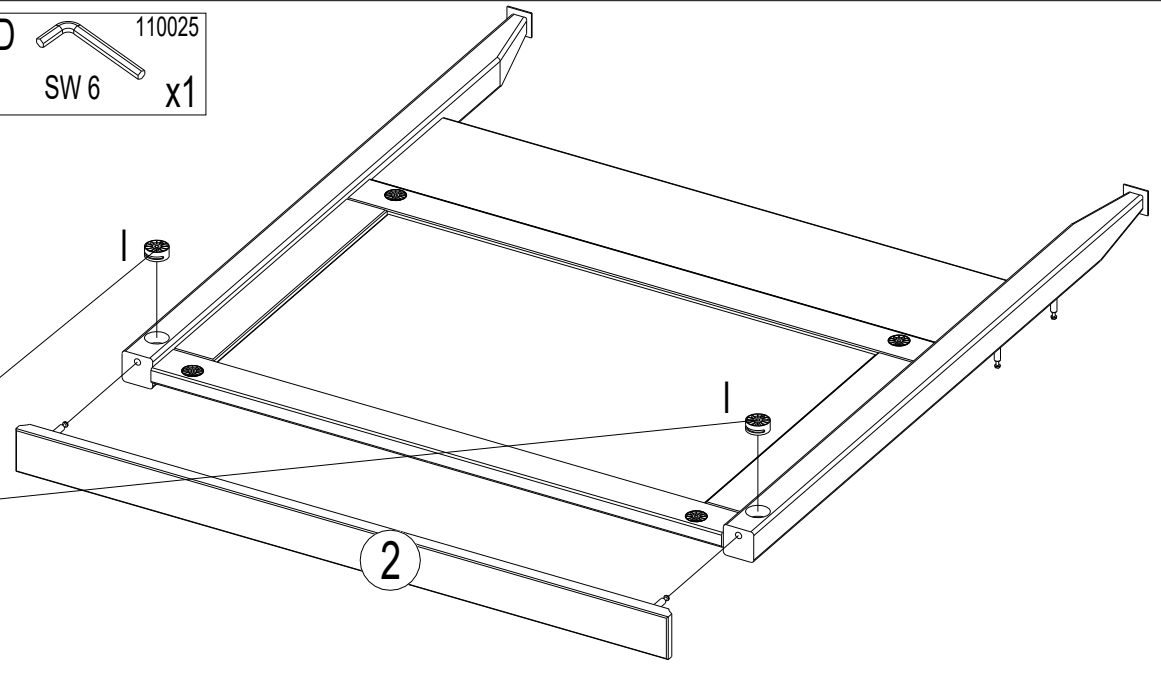
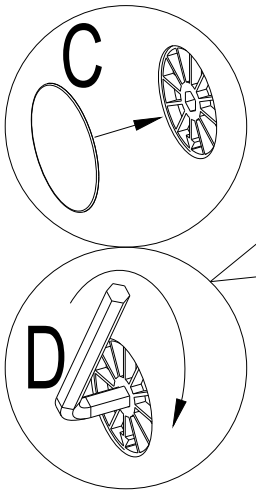
C 100004
x4

D 110025
SW 6

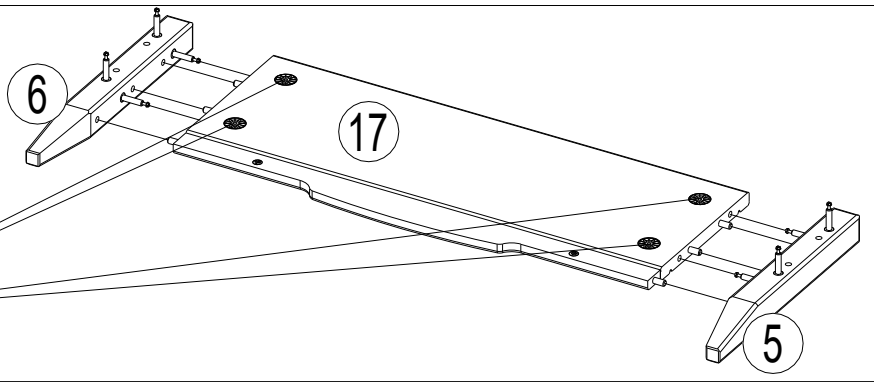
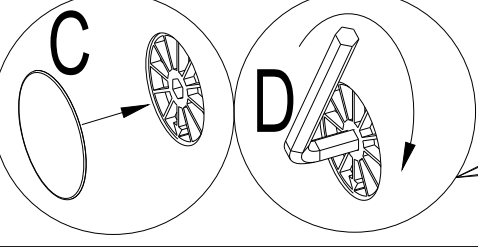


- 7 I 030105 Ø35x15 x2
- D 110025 SW 6 x1

- C 100004 x2



- 8 C 100004 x4
- D 110025 SW 6 x1



- 9 C 100004 x8
- D 110025 SW 6 x1

